

For orders, please contact your nearest Jayair Distributor

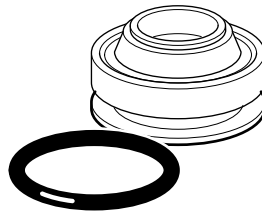
10.8.06

Pg. 428 Dimension update

Page 46 Supercede to CP 4110

R134a Weld in Ports
Steel

CP 9476 Denso
10PA17C



AF 0018 R134a 14mmø
AF 0019 R134a 11mmø

Pg. 431 Description update

Pg. 626 Part is Obsolete

Access

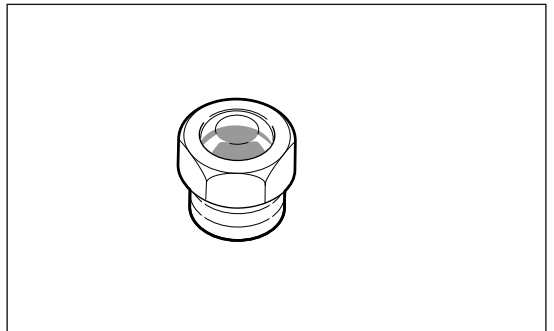
RD 5848 Kysor
405848 Spin On Moisture Indicator

Adaptor Metric SAE

Features
Moisture
Indicator

AF 2612

AF 2611



AF 2611	#10 MIO to #10 Metric MIO
AF 2612	#10 Metric MIO to #10 MIO

Pg. 488 HO 0116 on second line should read HO 0129

HO 0129 Corolla AE 90/92
1.4, 1.6, 1.8Lt
Discharge R134a

Pg. 456 Description update

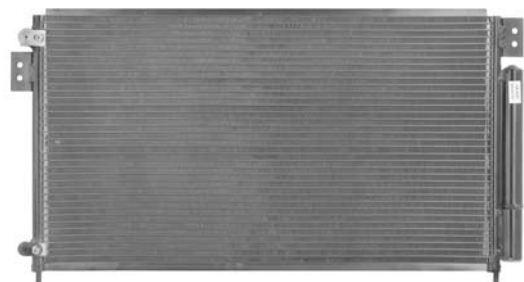
CN 5259 also suits V6

Evaporator Aluminium Captive O'ring

CN 5259 Accord Euro (4 cyl OE # 80110 SDE Q01)
& V6 **03 >**



Inlet
Pad
Outlet
Pad
Length
6990mm
Height
382mm
Thickness
16mm



Part Number	Application	Size
AF 4201	R134a	M22
AF 4200	R134a	M16