

For orders, please contact your nearest Jayair Distributor

**15.8.06**

**Pg. 215**

Added dimensions to assist with identification

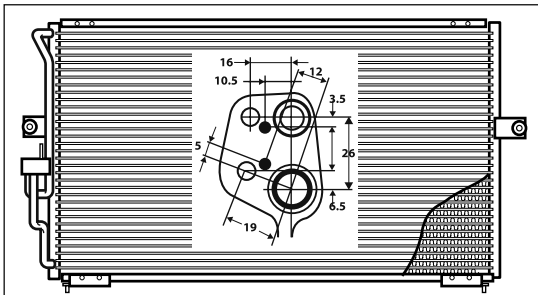
**CN 5041**

**Sonata Y1/Y2 2Lt V6 10/94 > 8/98**

(Will not fit prior to 10/94 - Pad dim. different)

Inlet  
Pad  
Outlet  
Pad  
Length  
**679mm**  
Height  
**368mm**  
Thickness  
**20mm**

**RD 7184**



Note: May fit some earlier models. Check Dim.

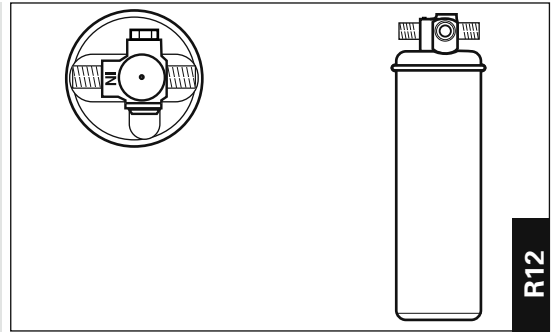
**Pg. 619** Inlet/Outlet 5/16", not 3/8" .

**RD 7063**

**Tarago TCR10/11**

**91 > 93**

Inlet  
**5/16" MIOR**  
Outlet  
**5/16" MIOR**  
Height  
**227mm**  
Dia.  
**67mm**  
Features  
**Male Fuse Plug, Sight Glass**



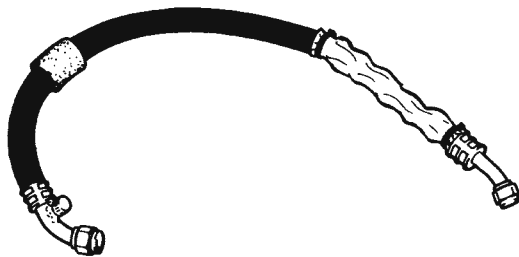
**R12**

**Pg. 487** HO 6477 now obsolete

**HO 6477**

**Pulsar N13**

Discharge



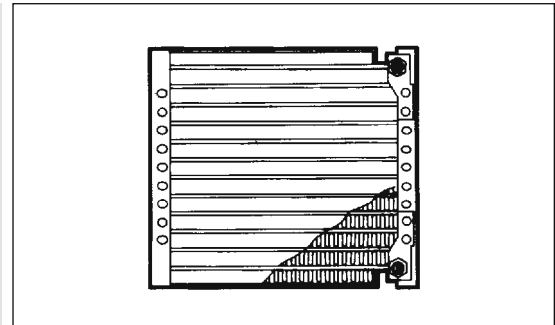
**Pg. 172** CN 1301 now obsolete

**CN 1301**

**Universal**

**88**

Inlet  
**#8MF**  
Outlet  
**#8MF**  
Length  
**305mm**  
Height  
**355mm**  
Thickness  
**32mm**



**Pg. 403** Also suits Suzuki Jimny

**EF 1157**

**Baleno, Jimny**

Condenser



**Pg. 430,435,450**

Added new compressor

Seiko Seiki Pad to MIOR



AF M694 #8  
AF M695 #10

Suits Seiko Seiki SS99, SS121, SS140, SS170 & SS10M1

**Pg. 485** Not AL 5512

**HO 8258**

**Magna TH**

Suction



**HO 8253** **Commodore VT, VX**  
V6

9/97 > 8/00

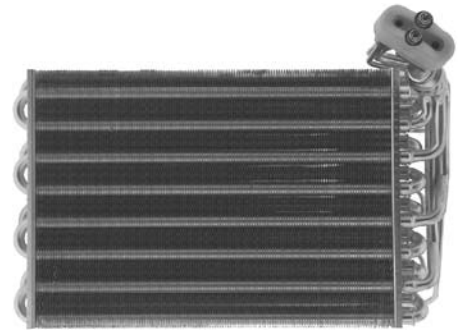
**EV 3906**

**Peugeot 405**

**93 >**



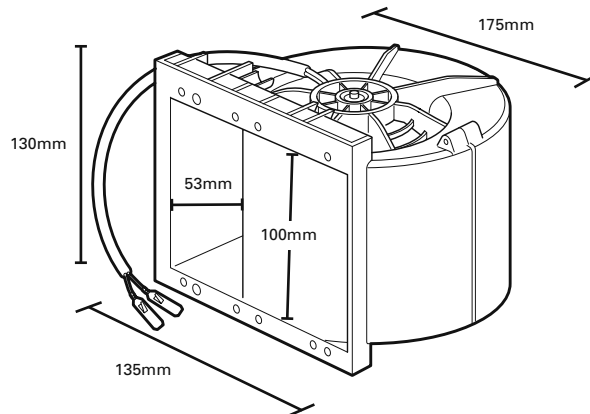
Inlet  
Pad  
Outlet  
Pad  
Length  
**299mm**  
Thickness  
**80 mm**



**HO 8260** **Commodore VY, V6**  
Hose Assembly

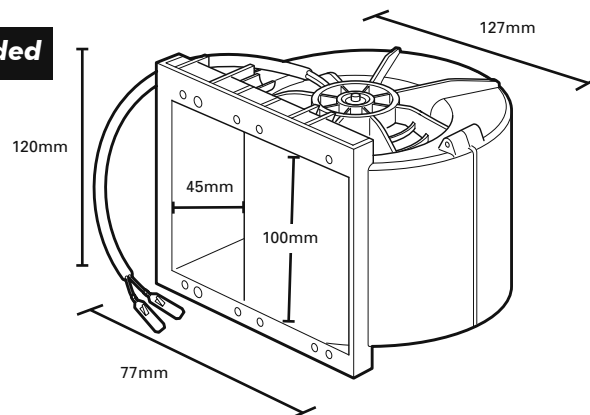


**Pg. 7 Description update**



Spal Blower	
Part No.	Volts & Speed
<b>EM 2450</b>	<b>12v Single Sp motor</b>
<b>EM 2452</b>	<b>12v 3 Speed motor</b>
<b>EM 2455</b>	<b>24v Single Sp motor</b>
<b>EM 2457</b>	<b>24v 3 Speed motor</b>
<b>EM 2465</b>	<b>12v 3 Speed motor</b>

**Pg. 7 New diagram added**



Spal Blower	
Part No.	Volts & Speed
<b>EM 2463</b>	<b>24v 3 Speed motor</b>
<b>EM 2464</b>	<b>12v 3 Speed motor</b>

**For orders, please contact your nearest Jayair Distributor**